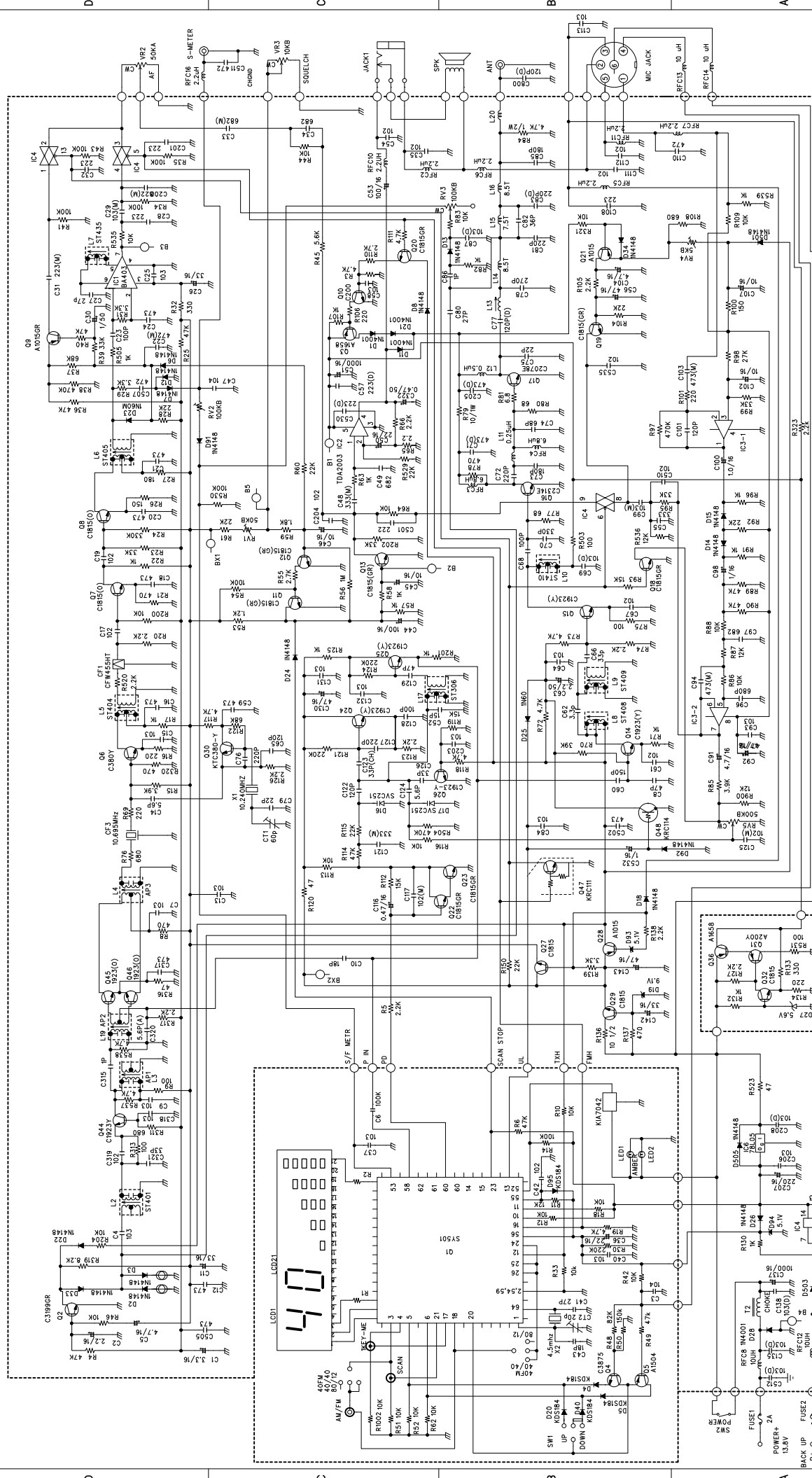


# SCHEMATIC DIAGRAM



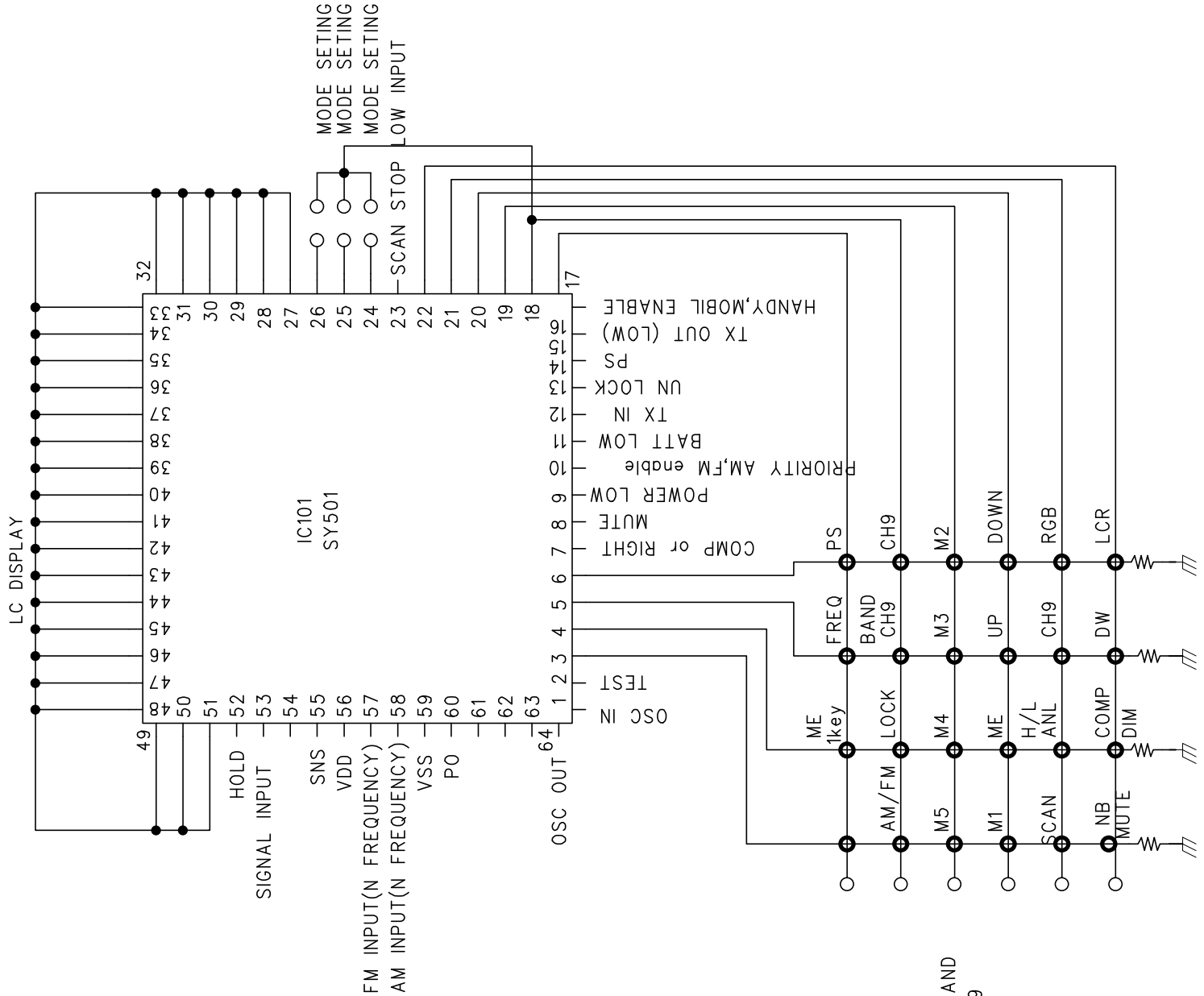
REV.	DATE	NAME	DESCRIPTION	CHECK
1	02/05/20	ALBRECHT	BUYER NAME : ALBRECHT	
2	07/09/21	APP.	MODEL NAME : AE290	
3				
4				
5				
6				

1 2 3 4 5 6

D C B A

D C B A

D C B A



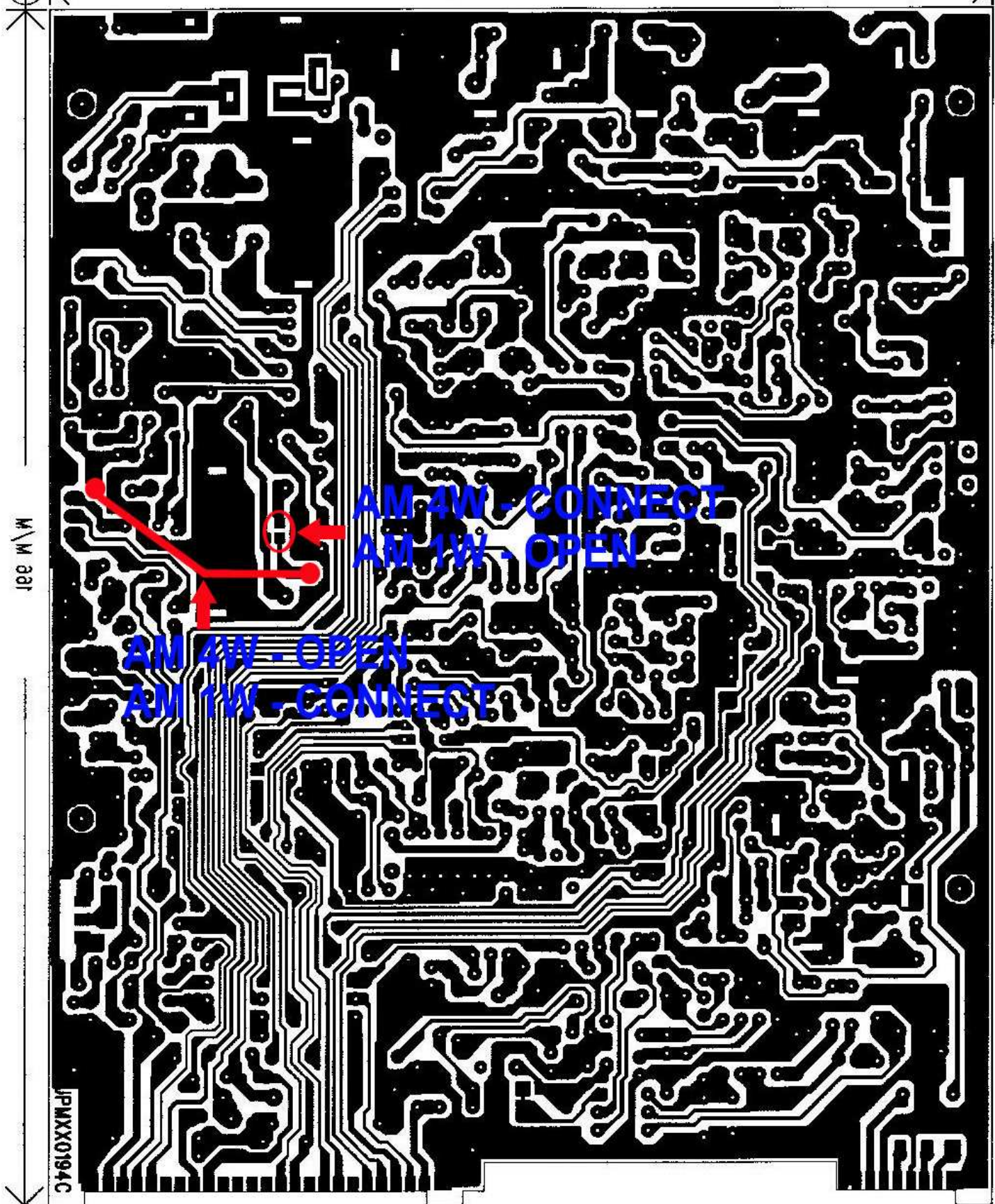
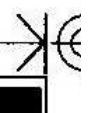
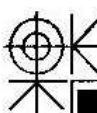
### MDDE SETING CHART

24	25	26	FREQUENCY
L	L	L	BZT
L	L	H	POL 120 CH
L	H	L	UK 80CH
H	L	L	43MHz(24,224CH)
L	H	H	POL 240 CH
H	H	L	400CH
H	L	H	240 CH
H	H	H	40 CH

L - OPEN  
H - SHORT

\* NOTE \*  
CH9/BAND - EXTENDED BAND  
- STANDARD CH9  
CH9 - STANDARD CH

M\M 121



M\M 331

JPMXX0194C